



TANGENT[®]
CAR WASH EQUIPMENT COMPANY



ABOUT US

Car washes are vital to maintaining a vehicle's appearance, value, and longevity. Challenges and limitations faced by traditional, car wash equipment led us to develop cutting-edge solutions for efficiency, quality, and customer experience.

Our engineers, designers, and industry experts have collaborated to create the FrictionSoft® car wash equipment systems. These systems utilize groundbreaking soft-touch technology for a gentle, yet highly effective cleaning process. FrictionSoft® systems ensure an immaculate, clean finish while prioritizing the safety and protection of the vehicle's surface.

At Tangent® Car Wash Equipment Company, we believe in building strong partnerships with car wash operators, dealership service centers, and other industry stakeholders. We are dedicated to providing comprehensive support, training, and technical assistance to our partners, ensuring their success, and helping them deliver outstanding customer service.

History

Since the early 1950's, the Smith family has revolutionized the car wash industry with various inventions, systems, and equipment – including over 75 patents. Read more about our long-standing, innovative experience on our website in the "About" section.

THE INDUSTRY'S HARDEST WORKING MITTERS™ FrictionSoft® CAR WASH SYSTEMS

A Simple & Industry Changing Innovation

Superior Cleaning - Vehicle Tops, Sides, Front & Rear with FrictionSoft® RotoFlex® Cloth Scrubbing Power

- 360° co-axial surround gentle cloth washing
- Bugs and bird droppings don't stand a chance with the six (6) unique RotoFlex® scrubbing motions working simultaneously for total non-stop cleaning
- Counter-rotating and auto reverse actions provide excellent rear and window cleaning - even for trucks!
- RotoFlex® removes dirt off the car as it cleans, no dragging or carrying the dirt from the front to the rear of the car
- By purposefully adding side slits (mini-mitters) to the side wash mitters, our advanced systems clean vehicle areas never reached before with conventional mitters.

Safe Car Washing

- Operator friendly - no high-speed spinning equipment
- Vehicle/consumer friendly - gentle soft cloth, quiet cleaning, enhanced customer appeal
- Built-in safety with an auto-pause feature to reduce and help protect against vehicle incidence claims
- Designed to operate contact-free of pickup truck beds

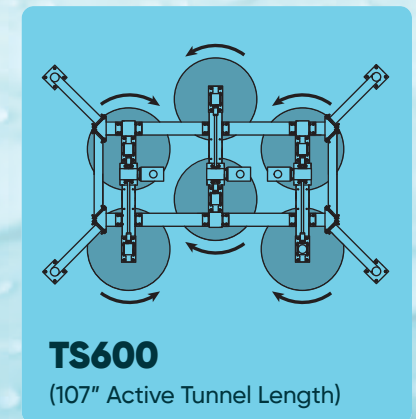
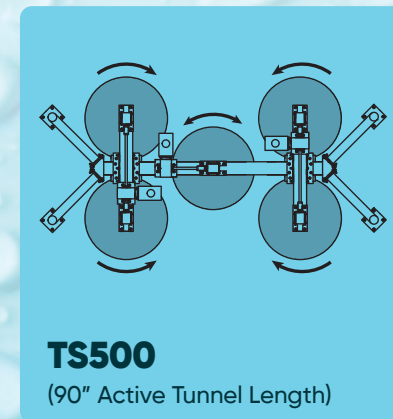
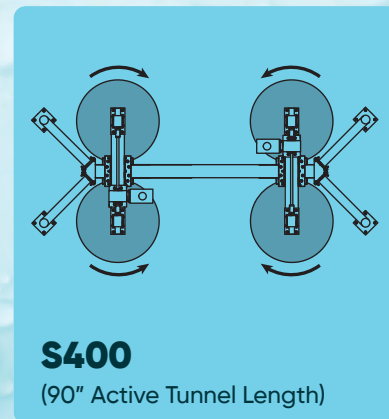
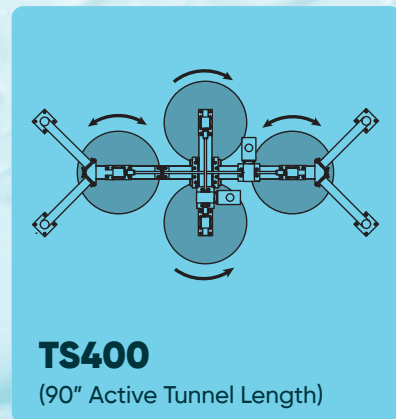
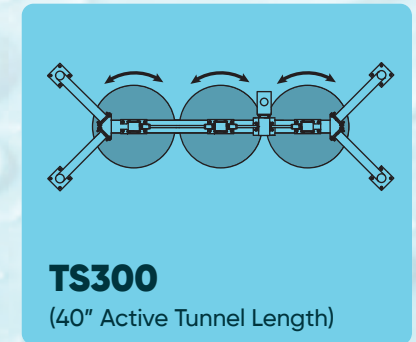
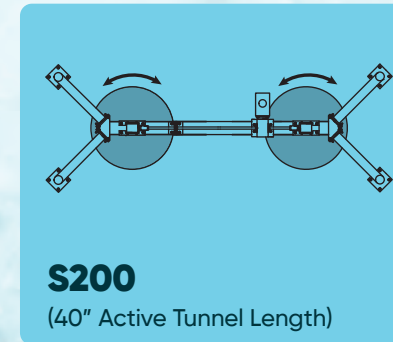
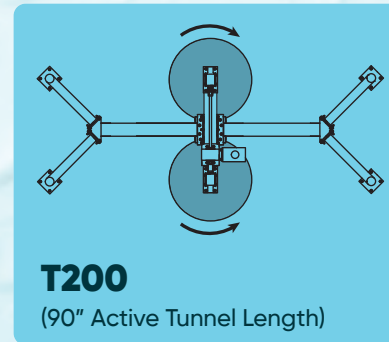
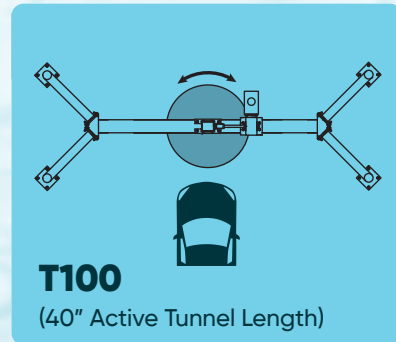
Car Washing Made Easier

- Low chemical use - RotoFlex® multiple washing motions generate and retain a high level of chemistry - foam, lubricity, water, etc.
- Very small tunnel footprint required
- Commonality of components/parts
- EZ-Mount™ soft cloth...no bolts, fasteners, etc. - just hang & go
- Purpose built modular systems
- Low energy usage
- Simple & fast installation

Purpose Built Modular Systems

RotoFlex® Power Wash Modules - Superior Cleaning Systems for 60 CPH to 250 CPH Conveyor Speeds

FrictionSoft®
CAR WASH SYSTEMS



Patents Pending. ©2024 Tangent Car Wash Company. All Rights Reserved.

General Specifications:

- Structural Support Arch - (4) Post 6061 Aluminum
- Overall Height of Systems - 11'-5"
- Overall Width of Systems - 13'
- Overall Tunnel Length of Wash Module Systems:
T100, S200, TS300: 7'
- Overall Tunnel Length of Wash Module Systems:
T200, TS400, S400, TS500: 7'6"
- Overall Tunnel Length of Wash Module Systems TS600: 8'4"
- Vehicle Clearance: 92" on All Modules
- Zinc-Plated Steel Drive Components & Fasteners

- Drive Motor(s) 1.5HP - SS 208/230/460 Volts-3 Phase
- Gear Reducer(s) - 2.5HP Input Rated - 50:1 Reduction
- Cloth Color - Standard Blue or Red

Options (contact Tangent for availability and pricing)

- Anodized Aluminum Assemblies And Parts
- Stainless Steel Builds
- Variable Frequency Drives

TANGENT
CAR WASH EQUIPMENT COMPANY



CONTACT

Our Mission

To revolutionize the car wash process through innovative technology, superior performance, and an unwavering commitment to customer satisfaction.

Tangent Car Wash Equipment Company

209 South Warren Drive
Greencastle, Indiana 46135
765-719-9717

tangentcarwash.com



TANGENT
CAR WASH EQUIPMENT COMPANY

Patents Pending. ©2024 Tangent Carwash Company. All Rights Reserved.